

The Jaybilizer 3000 Camera Stabilizer parts list:



Crawford 2-in-1 Combination 8- to 10-Inch Shelf Bracket and Tool Hanger #HH2N1
\$10.99
<http://amazon.com/>



JTL Mini Table Top Tripod with Adjustable Ball Head & Case, Black. 6.95 <http://www.adorama.com/>



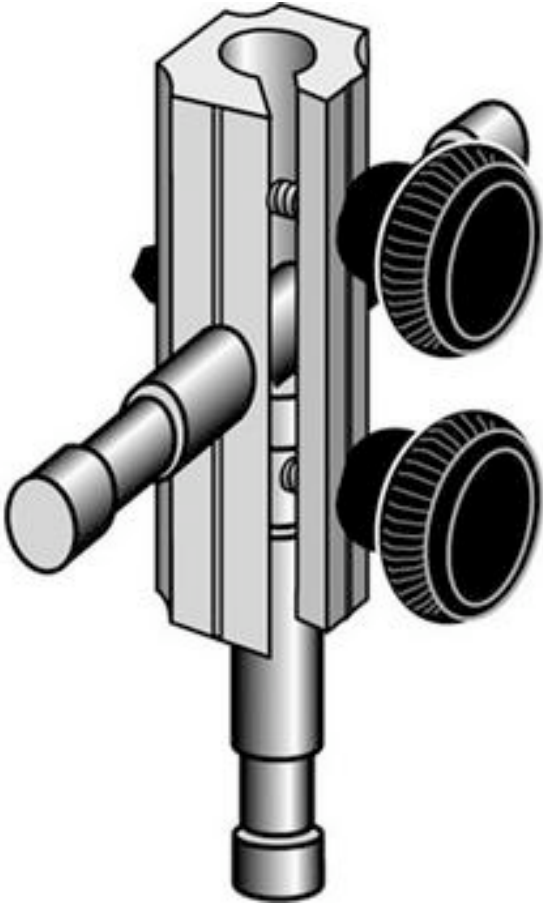
or Giottos MH1004 Mini Ball Head with Single Knob for Ball and Pan 12.95 <http://www.adorama.com/>



and CamGrip 7.50 <http://www.adorama.com/>



Diamondback BMX Flanged Team Grip \$7.49 Amazon.com



Lowel Interlink \$22.50 <http://www.adorama.com/>



the Vanguard QS-48PF (available here: <http://www.adorama.com/VGPQ46.html>)

Hardware:

3- 1 1/2" Panhead 14"-20 Machine screws @ \$.15 ea

1- 3.5" Panhead 14"-20 Machine screw @ \$.38 ea

1/4"-20 nuts and wing nuts \$.05 ea.

25- 1/4" X 1 1/2"fender washers. @ \$.15 ea